

Actual Size: 27.5" x 52" x 35" • (69.9cm x 132cm x 89.9cm)

Shipping Size: 31" x 57" x 47" • (78.8cm x 144.8cm x 119.4cm)

Net Weight: 200lbs • (90.8kg)

Shipping Weight: 305lbs • (1389.4kg)

Seat Width: 19.75" • (50.2cm)

Unoccupied Water Capacity: 65gal • (246.1L)

Occupied Water Capacity: 30-50gal • (113.6 - 189.3L)

Included Features (Soaking)

1. Acrylic shell gloss white finish fiberglass gelcoat reinforced
2. Stainless steel frame with adjustable leveling legs
3. Inward swinging brushed stainless-steel door with a frosted tempered glass.
4. Removable front apron with two access panels
5. One reversible end panel
6. Stainless steel chrome finish deck and wall-mounted grab bar
7. Two 2" 4-port PVC drains with 2 end caps included, 2 overflows, 2 stainless steel operated openers with extended handles in chrome finish

Jetting & Therapy Options

1. Air + Hydro (LED Chromatherapy Light Included)
2. Hydro + Hydro Independent Foot Massage (LED Chromatherapy Light Included)* (2)
3. Hydro Massage + Microbubble (LED Chromatherapy Light Included)
4. Hydro Massage (LED Chromatherapy Light Not Included)
5. Soaking



Jetting & Therapy Systems

Hydro Massage

- Hydro Massage Pump 5 to 7A
- Intensity Dial Air Control
- Ozone Sterilization 0.04A
- 16 jets (10 Seat Jets 6 Foot Jets)
- On/Off Push Control
- In-line Water Heater 5.5A 650W

Hydro + Hydro Foot Massage* (2)

- 2 Hydro Massage Pumps 5 to 7A
- 2 Intensity Dial Air Controls
- Ozone Sterilization 0.04A
- 16 jets (10 Seat Jets 6 Foot Jets)
- On/Off Push Control
- In-Line Water Heater 5.5A 650W

Air Massage

- Air Massage Pump 4.5A 500W
- 3 Speed Pump
- Auto-purge (Activates 20 minutes after pump is turned off)
- 16 jets (8 Seat Jets 8 Foot Jets)
- On/Off push control

Microbubble Therapy

- 1 HP Pump 7.3A
- Pressure Vessel
- On/Off push control
- Agitator Valve

5 Piece Faucet

- Up to 18GPM @ 60PSI (at ideal in-home plumbing conditions)
- Two 5' Water Supply Lines 3/4"
- Pull out Hand Shower in Chrome Finish with a 5' Retractable Stainless Steel Braided Hose

Optional Features

1. Heated Seat and Backrest
2. Digital Controller

Note: LED Chromatherapy light 0.5A with On/Off push control is included with the following dual packages: Hydro + Air, Hydro + Micro, Hydro + Hydro

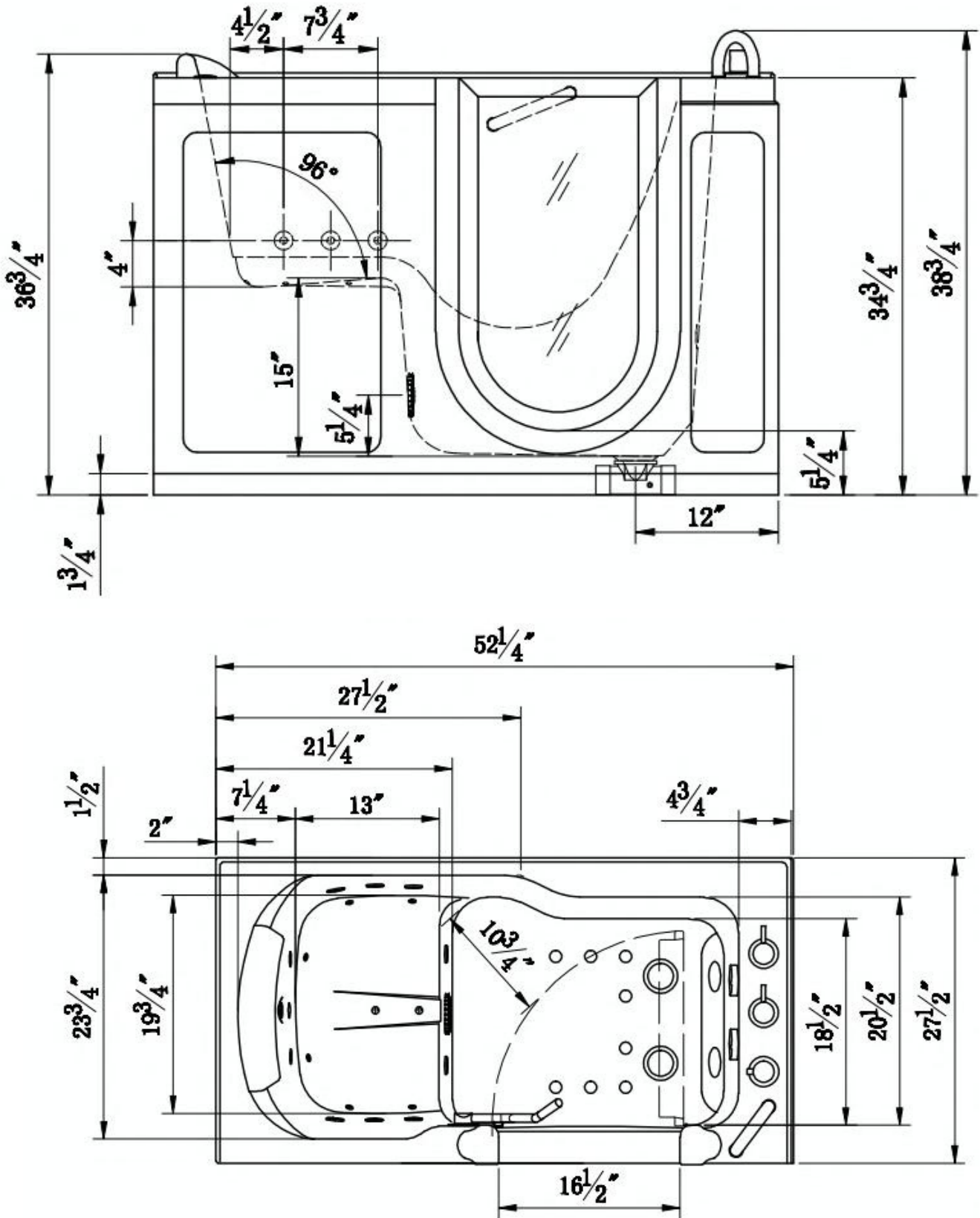
Disclaimer*: AMP value for each pump may change based on availability. Please verify before purchase. (800.480.6850)

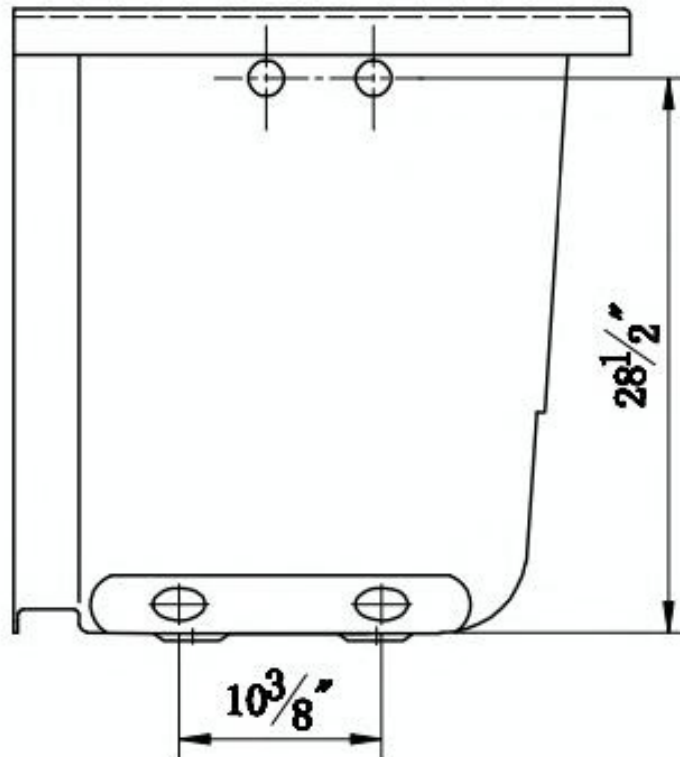
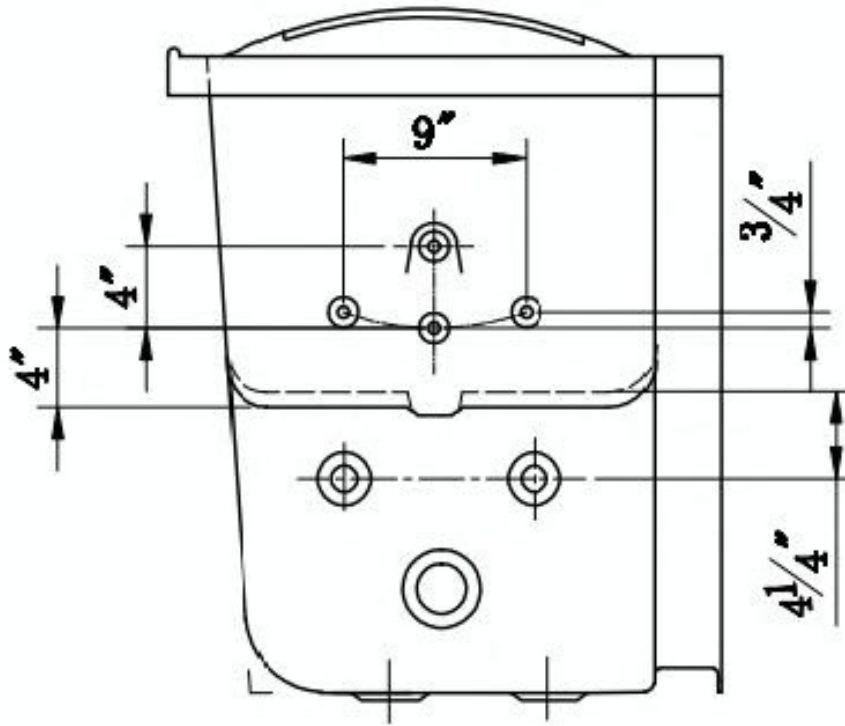
Electrical Requirements

Dedicated GFCI protected electrical line(s) required 110/120V

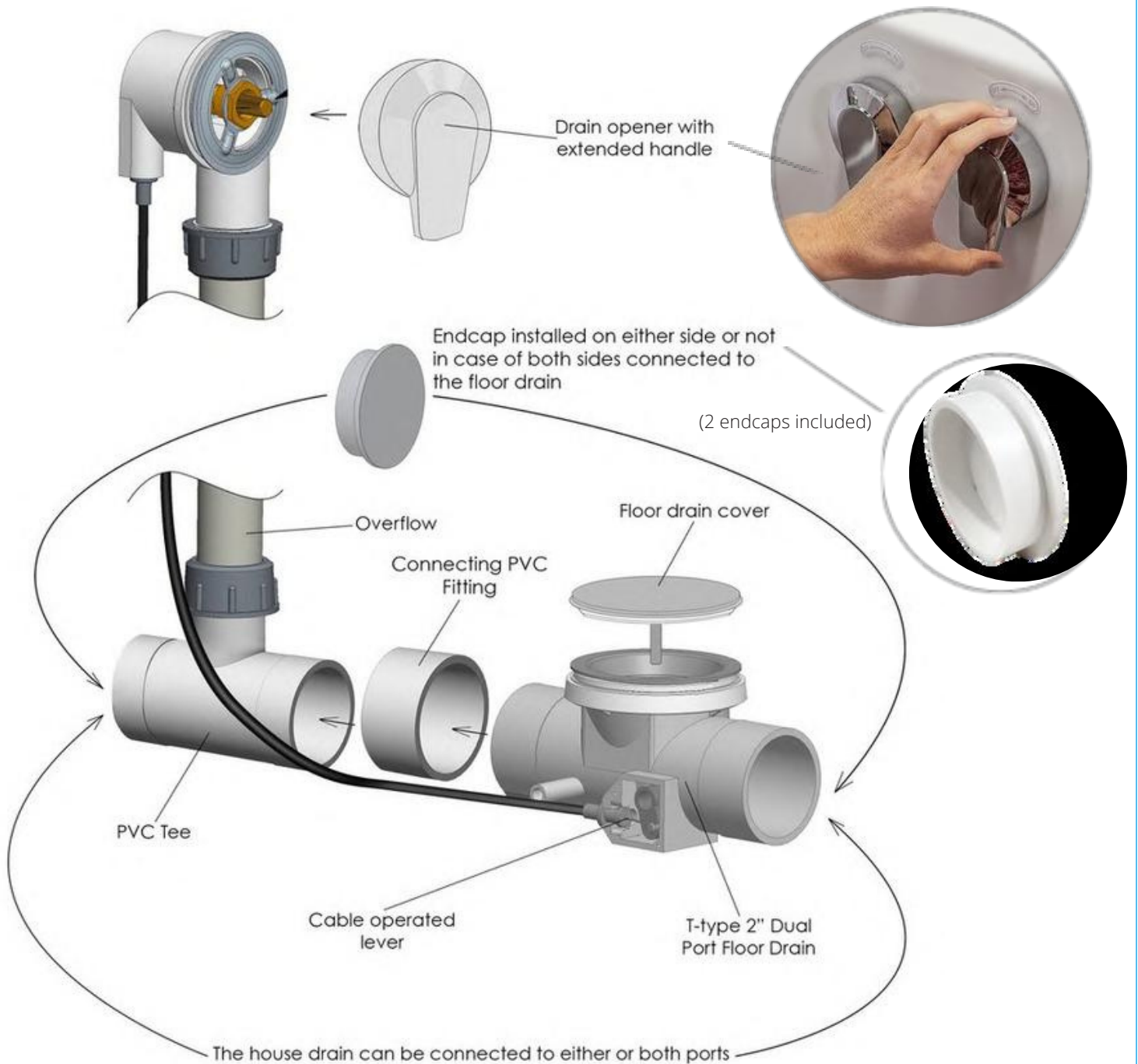
Warranty

- Lifetime limited* warranty on shell, frame, door, and parts to original purchaser/Address
- Labor or installation is not covered - please refer to the Ella warranty certificate
- Non Ella brand faucets covered under manufacturers original warranty





Dual Drain Technology - Two 2 Inch Independent
Floor Drains



Two 3/4" connector water supply lines included with Ella Fast Fill Faucets



Connect to Shut Off Valves (not included)



All electrical fixtures connect to a dedicated GFCI protected outlet.



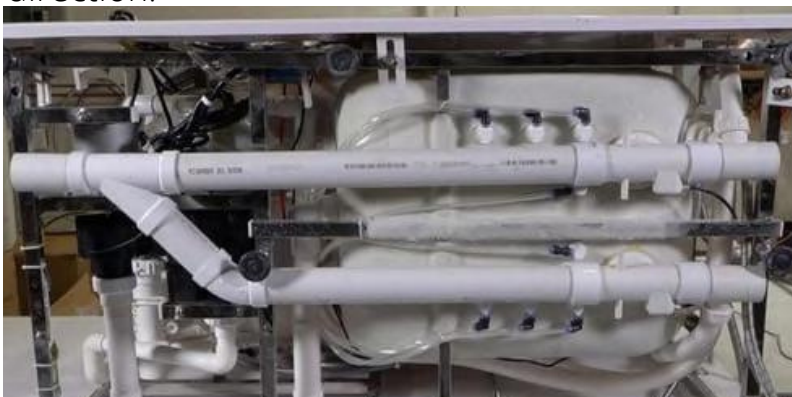
Drain Cap

Use a drain cap to close unused drain port.



T-Type four (4) 2" drain ports allow for the drain pipe to be installed in either direction.

Images below show examples of PVC pipe connections (not included). Reducers can be used to connect smaller drain pipes.



Description

Solid brass spout in a chrome finish with a 5-setting pull out hand shower mixer including a 5' braided hose. Two 3/4" 5' braided stainless-steel supply lines are included along with Cold/Hot levers with a diverter for the hand mixer.

Flow

- Hand shower is limited to 1.9 GPM (7.5L/min)
- Faucet fill rate designed for 18 GPM (68.1L/min)

Cartridge

- 40mm high flow cartridge design
- Nonmetallic/nonferrous and stainless-steel material



Ella 5 Piece Fast-Fill Faucet Contents

